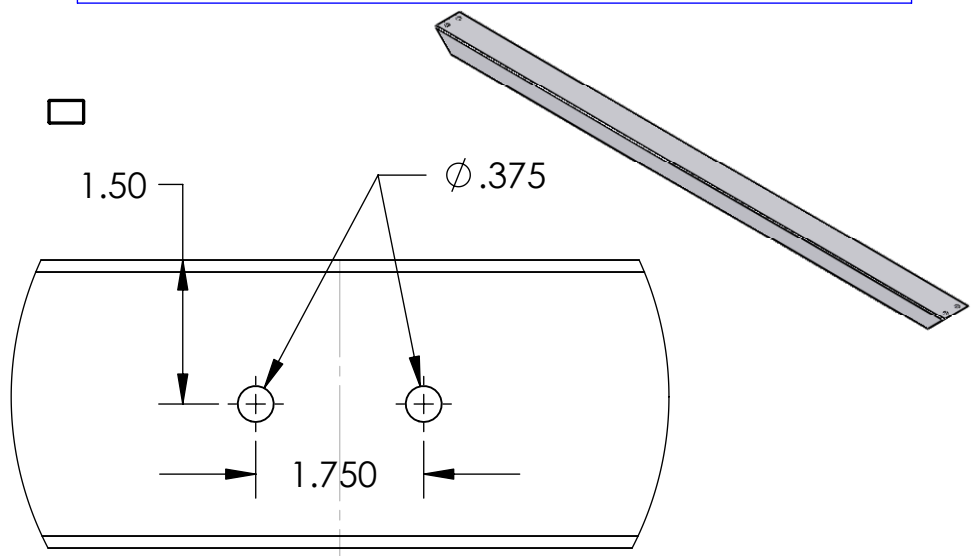


.625  
.625

NOTE: For box tube style frames the from edge hole distance should be 1/2 of the width of the frame member. (on box frames, the tapped holes should be centered on the box section).



DETAIL F

**PROPRIETARY AND CONFIDENTIAL**  
THE INFORMATION CONTAINED IN THIS DRAWING IS THE SOLE PROPERTY OF JT'S RV ACCESSORIES. ANY REPRODUCTION IN PART OR AS A WHOLE WITHOUT THE WRITTEN PERMISSION OF JT'S RV ACCESSORIES IS PROHIBITED.

		UNLESS OTHERWISE SPECIFIED:	NAME	DATE
		DIMENSIONS ARE IN INCHES	DRAWN	
		TOLERANCES:	CHECKED	
		FRACTIONAL ±	ENG APPR.	
		ANGULAR: MACH ± BEND ±	MFG APPR.	
		TWO PLACE DECIMAL ±	Q.A.	
		THREE PLACE DECIMAL ±	COMMENTS:	
		INTERPRET GEOMETRIC TOLERANCING PER:		
		MATERIAL		
NEXT ASSY	USED ON	FINISH		
APPLICATION		DO NOT SCALE DRAWING		

<b>JT'S RV ACCESSORIES</b>		
TITLE: Box cross member For ibeam frames		
SIZE <b>A</b>	DWG. NO.	REV
SCALE: 1:2	WEIGHT:	SHEET 1 OF 1